

GZUW 10SQX

GROUND ZERO[®]
GERMAN ENGINEERING



KLIPPEL



GROUND ZERO GmbH – Erlenweg 25 – 85658 Eggenheim – Germany

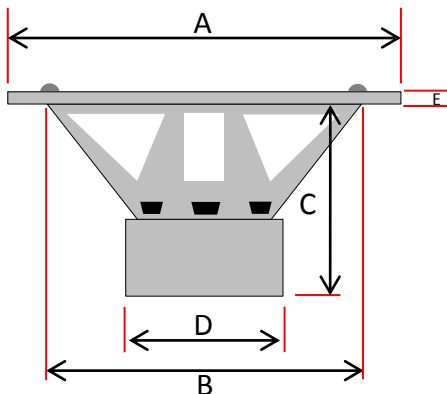


GroundZeroAudioCom

www.ground-zero-audio.com
info@ground-zero-audio.com

TECHNICAL SPECIFICATIONS

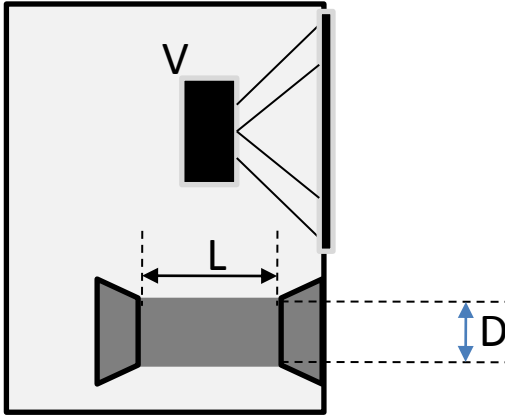
Product name	GZUW 10 SQX	Gasket	PVC
Product type	Subwoofer chassis	Terminal	Screw Block
H.Art .nr.	125033	Power handling	450 WRMS
Diameter	262 mm / 10.31"	Impedance	2 x 2 Ohm
Mounting diameter	236 mm / 9.29"	Re	4.4 Ohm
Mounting depth	148 mm / 5.83"	Res	55.0 Ohm
Magnet dimension	2 x 140x 22 mm	FS	46.7 Hz
Total weight	5.9 KG	Qms	9.64
Voice coil diameter	50 mm / 2 " Round Wire	Qes	0.67
Voice coil winding height	30 mm / 1.18"	Qts	0.62
Voice coil wire material	Copper	Rms	3.8 kg/s
Voice coil former material	Kapton	Cms	0.09 mm/N
Top plate height	10 mm / 0.393"	Mms	124.8 gr
Linear excursion (one direction)	10 mm / 0.393"	BL	15.5 N/A
Effective Xmax	20 / 0.79 "	SPL	85.2 dB
Top Plate and T-Yoke color	Black	VAS	14.2 L / 0.50 cu.ft
Basket material	Aluminium Cast	Le	2.88 mH
Basket color	Black	Recommended freq. response	35 – 100 Hz
Spider	1x Polycot	Recommended amplifier power	300 – 600 WRMS @ 4 Ohm (1 Ohm)
Surround	VOXR U Shape foam	Sound Quality	⊙⊙⊙⊙ (max. ⊙⊙⊙⊙⊙⊙)
Cone	Reinforced paper	SPL Competition	⊙ (max. ⊙⊙⊙⊙⊙⊙)
Dustcap	Plastic Coated Paper	Low bass performance 20-50Hz	⊙⊙⊙ (max. ⊙⊙⊙⊙⊙⊙)
Magnetcover	Rubberboot	Mid bass performance 50-80Hz	⊙⊙⊙ (max. ⊙⊙⊙⊙⊙⊙)



A	262 mm / 10.31"
B	236 mm / 9.29"
C	148 mm / 5.83"
D	155 mm / 6.1"
E	16 mm / 0.63"



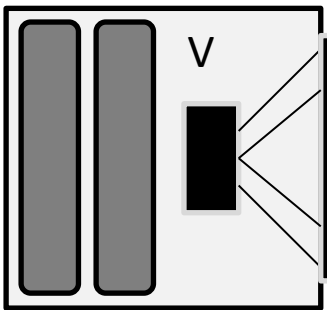
BOX RECOMMENDATION



Medium size vented box

V: 42 L / 1.48 cu.ft
D: 1x 80 mm / 3.15"
L: 210 mm / 8.27"

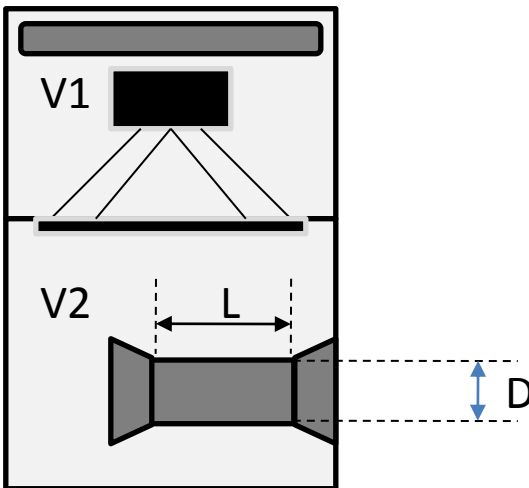
No damping



Medium size sealed box

V: 15 – 40L / 0.52 – 1.41 cu.ft
Qtc: 0.73 – 0.87

40 - 60% Polyester wool



Medium size bandpassbox

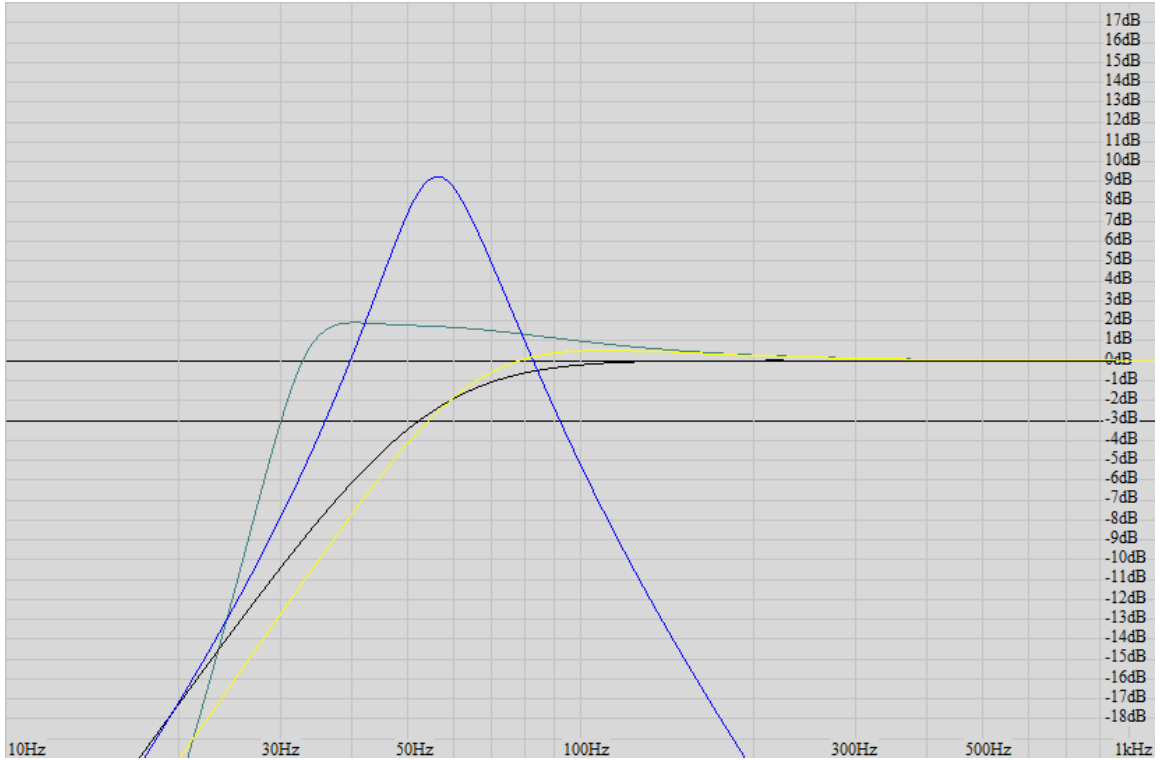
V1: 22 L / 0.78 cu.ft
V2: 26 L / 0.92 cu.ft
D: 100 mm / 4"
L: 200 mm / 8"
Center Freq.: 57 Hz
Bandwidth (-3dB): 36 – 92 Hz

20% polyester wool in V1
No damping in V2

Die hier aufgeführten Gehäusevorschläge sind nur einige, der möglichen Varianten.
Bitte beachten Sie zudem, dass die finale Abstimmung, speziell die Port Längen je nach Fahrzeug und eigenem Geschmack variiert werden sollte.
*Above-mentioned enclosure recommendations are just a few possible variations.
Please note that you should find the perfect tuning, especially port length, based on your car and own taste.*



BOX RECOMMENDATION



Curve	Type	Volume	F3/ Qtc
Green	Vented	42 L / 1.24 cu.ft	30 Hz
Yellow	Sealed	15 L / 0.52 cu.ft	54 Hz / 0.87
Black	Sealed	40 L / 1.41 cu.ft	52 Hz / 0.73
Blue	Bandpass 4th order	V1: 22 L / 0.78 cu.ft V2: 26 L / 0.92 cu.ft	Centerfreq. 57 Hz

Die hier aufgeführten Gehäusevorschläge sind nur einige, der möglichen Varianten.
 Bitte beachten Sie zudem, dass die finale Abstimmung, speziell die Port Längen je nach Fahrzeug und eigenem Geschmack variiert werden sollte.
Above-mentioned enclosure recommendations are just a few possible variations.
Please note that you should find the perfect tuning, especially port length, based on your car and own taste.

